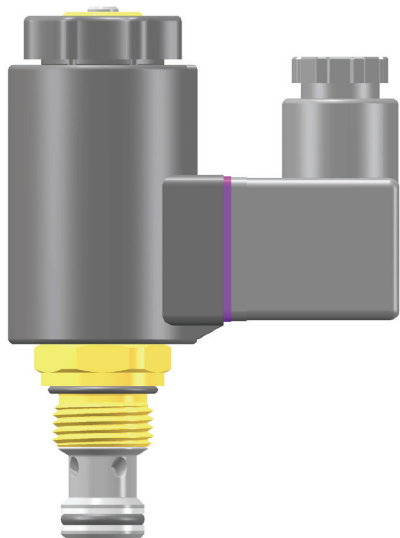


2/2 Solenoid Directional Cartridge Valve 5 mm Poppet Type, Direct Acting Series WS22G ... / WS22O ...



- Pmax 250 bar / Qmax 30 l/min
- High flow rates

- Wet-armature solenoid with p_{max}-rated core tube and slip-on coil
- Coils can be changed without opening the hydraulic envelope
- All exposed steel parts are zinc-plated to ISO 4042
- BUCHER cavity type AL, ALM
- 3/4"-16 UNF or M20 x 1,5 Mounting Thread
- Line mounting bodies (G 3/8") are available

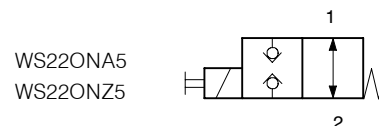
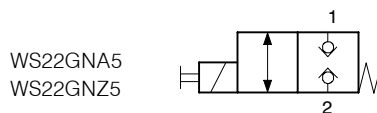
1. Description

Series WS22... directional valves are solenoid actuated, direct acting poppet type screw-in cartridges, nominal size 5 mm. The range is based on the 3/4"-16 UNF mounting thread but models WS22GNZ5 and WS22ONZ5 has an M20 x 1,5 thread. The straight-forward design delivers an outstanding

Price / Performance ratio and good Δp -Q characteristics. All exposed steel parts are zinc-plated to ISO 4042, and the valves are suitable for use in the harshest operating environments. The core tube / slip-on coil design allows coils to be changed without opening the hydraulic envelope, even when the valve is under pressure. Coils can be secured at any angle through 360° and are available with most common electrical connectors. The valves are designed to be fitted with a normal 24 A/F OE spanner in BUCHER cavity AL but can also be installed in some other makes of 3/4"-16 UNF cavity. For customers who manufacture their own manifold blocks, we offer form tool sets for sale or hire.

The G 3/8" threaded bodies GALA and GALMA are available for line mounting applications.

2. Symbols



3. Characteristics

Type		2/2 solenoid directional valve
Design		direct acting, poppet type
Mounting method		screw-in cartridge
Size		3/4"-16 UNF model: 5 mm nominal size, BUCHER cavity AL M20 x 1.5 model: 5 mm nominal size, BUCHER cavity ALM
Mass	kg	0.35
Mounting attitude		unrestricted
Flow direction		1 ⇒ 2 / 2 ⇒ 1 see symbols
Operating pressure	bar	to 250 in 1 and 2
Flow rate Q max.	l/min	30
Fluids		Hydraulic oils HL and HLP to DIN 51 524 other fluids - contact BUCHER
Fluid temperature range	°C	-25 ... +80
Ambient temperature range	°C	-25 ... +50
Viscosity range	cSt	10 ... 500, recommended 15 ... 250
Minimum fluid cleanliness		18/14 to ISO 4406 /CETOP RP70H 8 ... 9 to NAS 1638
Standard voltages	VAC VDC	115, 230 50 ... 60 Hz 12, 24
Nom. voltage tolerance	%	± 10
Nom. power consumption	W	VAC: 25, VDC: 27
Duty cycle	% ED	100 % energisation

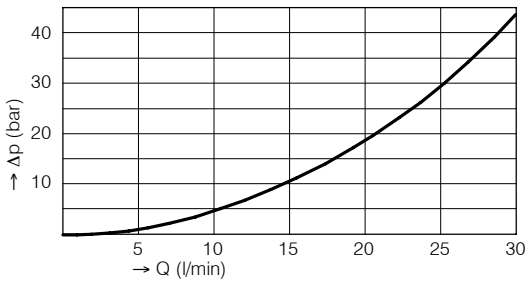
Enclosure protection
Electrical connection

IP 65 to DIN 40050
3-pin square plug to DIN 43 650 / ISO 4400 (standard)
other connectors - see data sheet ..120110..

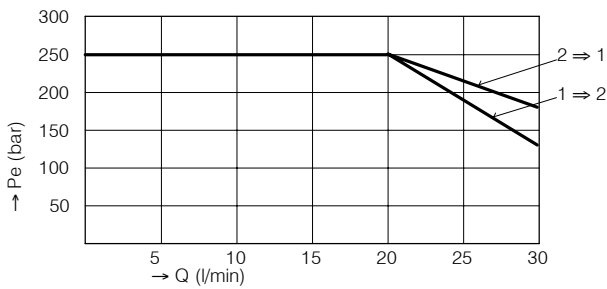
4. Performance characteristics

Oil viscosity 33 cSt solenoid at steady-state temperature, 10% under-voltage

Δp -Q characteristic
flow direction 1 \Rightarrow 2 and 2 \Rightarrow 1
WS22GNA5/ WS22GNZ5



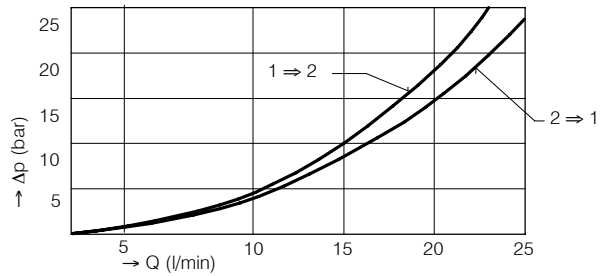
Performance limits



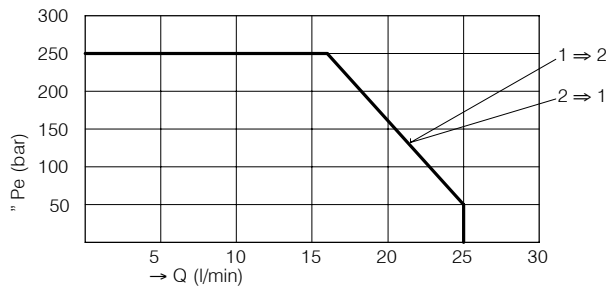
Switching times: Flow direction 1 \Rightarrow 2 and 2 \Rightarrow 1

Solenoid ON	30 ... 120 ms
Solenoid OFF	20 ... 50 ms

Δp -Q characteristic
flow direction 1 \Rightarrow 2 and 2 \Rightarrow 1
WS22ONA5/ WS22ONZ5



Performance limits

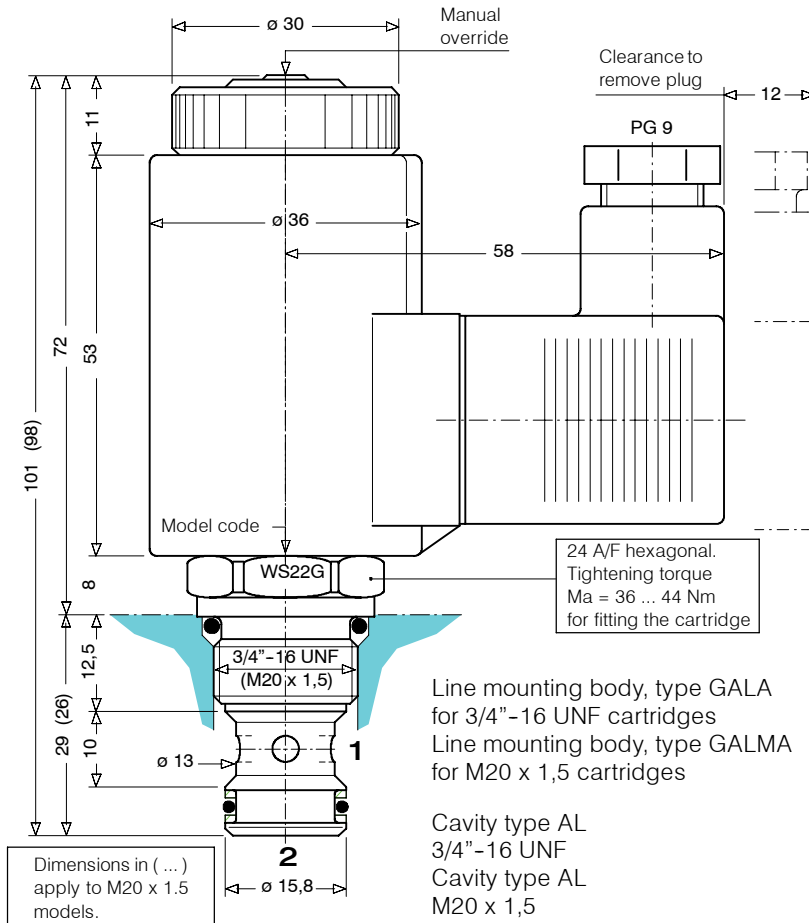


Switching times: Flow direction 1 \Rightarrow 2 and 2 \Rightarrow 1

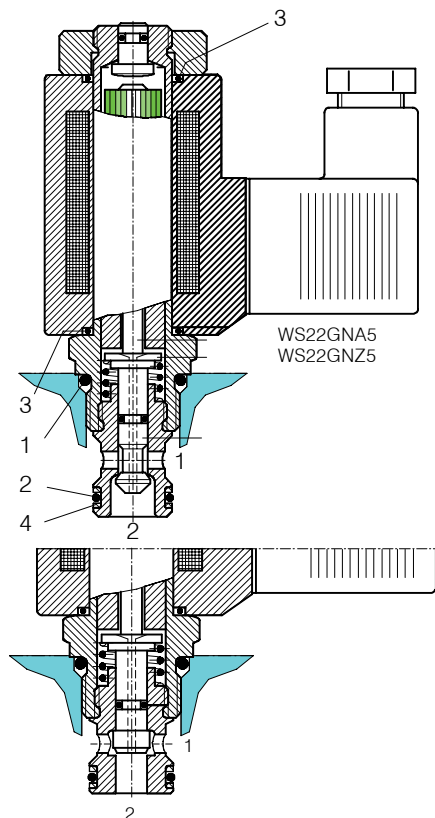
Solenoid ON	30 ... 200 ms
Solenoid OFF	20 ... 70 ms

These times are strongly influenced by fluid pressure, flow rate and viscosity, as well as by the dwell time under pressure.

5. Dimensions



6. Schematic section



Seal kit no. DS-246, comprising *):
Seal kit no. DS-245, comprising **):

ltn.	Qty.	Qty.	Description	Dimension
1	1*)	1**)	O-ring no. 017	Ø 17,17 x 1,78 N90
2	1*)	-	O-ring no. 014	Ø 12,42 x 1,78 N90
2	-	1**)	O-ring no. 013	Ø 10,82 x 1,78 N90
3	2*)	2**)	O-ring	Ø 16,00 x 2,00 Viton
4	2*)	-	Backup ring	Ø 10,7 X 1,45 X 1,0 FI0751
4	-	2**)	Backup ring	Ø 9,9 X 1,45 X 1,4 FI0751

WS22GNZ5 / WS22ONZ5(M20 x 1,5 model)

WS22GNA5 / WS22ONA5 (3/4"-16 UNF model)

7. Installation and servicing

All installation and servicing must be carried out with care, and by qualified personnel only. When changing seals,

the new seals must be thoroughly oiled or greased before they are fitted. Use

the correct tightening torque when fitting the cartridge.

8. Reliability information

In accumulator systems, the user must ensure that the maximum flow rate of 30 l/min (25 l/min) is not exceeded in

either flow direction. In applications where the valve is subjected to long

dwelt periods under pressure, please contact BUCHER.

9. Model code key

2/2 solenoid directional cartridge valve

Ex.

W	S	22G	N	A	5	-	1		
---	---	-----	---	---	---	---	---	--	--

Directional valve

S = poppet design, direct acting

22G = 2/2 function, normally closed

22O = 2/2 function, normally open

N = electrically actuated, coil VAC = 25 W / VDC = 27 W

A ... Q = standard model with mounting thread 3/4"-16 UNF

Y ... R = special features by arrangement

Z = cartridge with mounting thread M20 x 1.5

5 = nominal size 5 mm

(blank) = Nitrile seals (standard)

V = Viton seals

For special seals, contact BUCHER

1 ... 9 = design number (omit when ordering)

Voltage and current plainly specified

(blank) = with connector plug DIN 43 650 / ISO 4400 (standard)

M100 = shipped without DIN plug

C = with socket to suit Kostal plug

J = with socket to suit Junior Timer plug

F = with 500 mm flying leads

} see symbol

} optional connector styles (plug not supplied)

10. Related data sheets

Old no.	New no.	
W-2.140	400-P-120100-E	Solenoid directional cartridge valves, 5 mm (overview)
W-2.141	400-P-120110-E	Optional coils for solenoid operated directional valves
G-4.10	400-P-720101-E	Line mounting body, type GALA (G 3/8")
G-4.11	400-P-720105-E	Line mounting body, type GALMA (G 3/8")
i-32	400-P-040011-E	The Form Tools hire programme
i-33.10	400-P-040171-E	BUCHER cavity type AL
i-33.13	400-P-040201-E	BUCHER cavity type ALM

info.ch@bucherhydraulics.com

www.bucherhydraulics.com

© 2015 by Bucher Hydraulics AG Frutigen, CH-3714 Frutigen

All rights reserved.

Data is provided for the purpose of product description only, and must not be construed as warranted characteristics in the legal sense. The information does not relieve users from the duty of conducting their own evaluations and tests. Because the products are subject to continual improvement, we reserve the right to amend the product specifications contained in this catalogue.