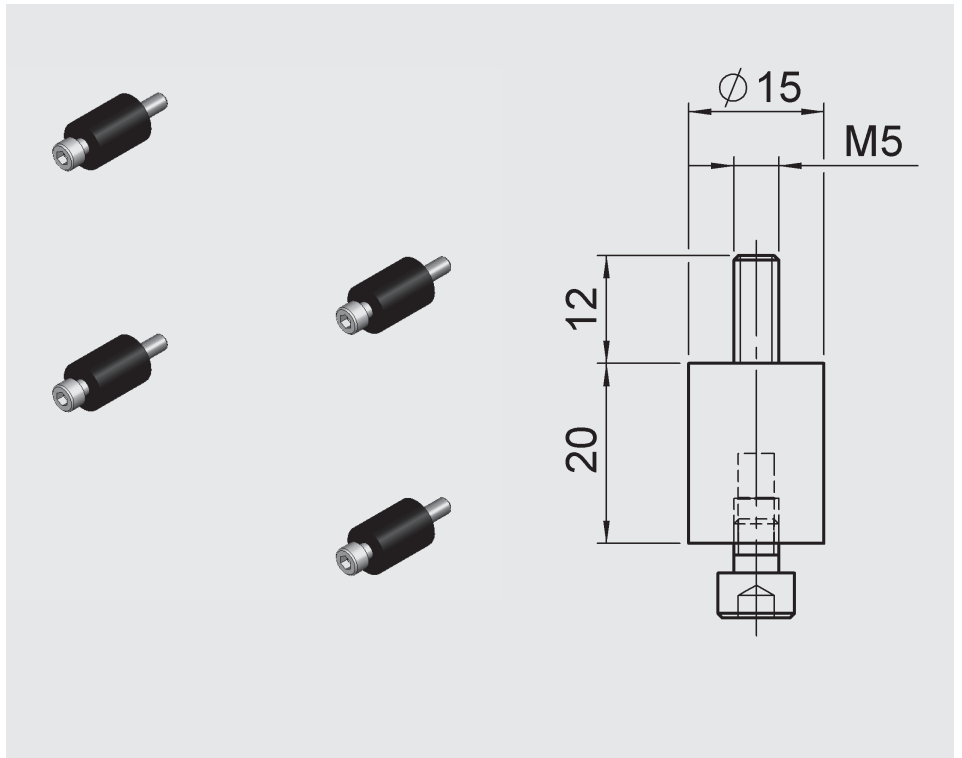


## Vibration mounts

Part No.: 257492

## Mounting accessories, device-specific EDS 1700, ETS 1700



## Mounting kit EDS 601

- for front panel mounting-  
(St4K32 DIN 1544)

Part No.: 905404

## Mounting accessories, device-specific EDS 601

