

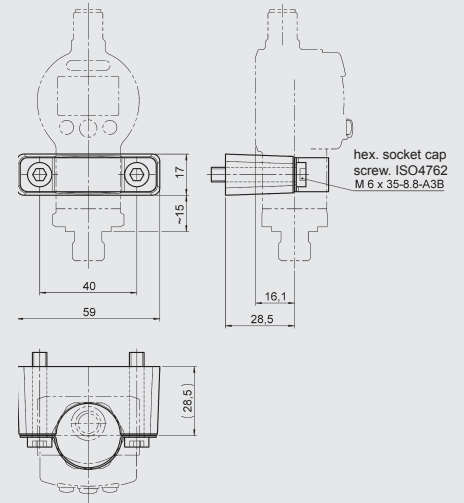
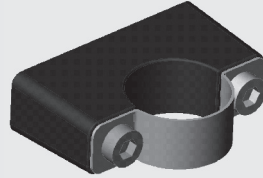
**Mounting accessories, device-specific**  
**EDS 3000, ETS 3000, AS 3000, ENS 3000 and HNS 3000**

**ZBM 3000**

Clamp for wall-mounting  
 - screw-type fitting -

(Material of lower section:  
 TPE Santoprene 10187;  
 Material of top section:  
 Steel strip DIN 95381-1.4571)

Part No.: 3184630

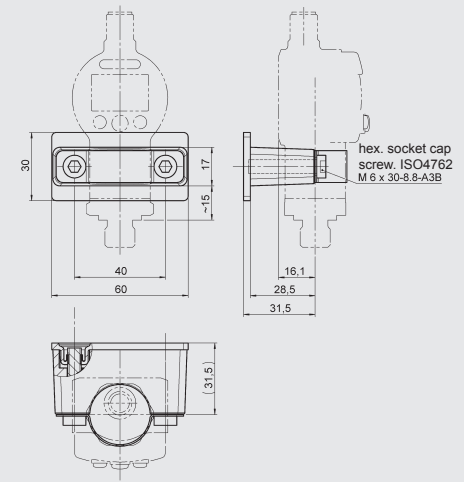
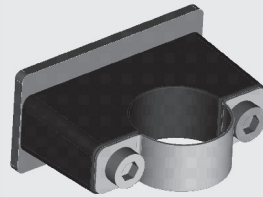


**ZBM 3100**

Clamp for wall-mounting  
 - weld-type fitting -

(Material of welding bridge:  
 QSTE340TM, zinc coating  
 EN 12329 FE/ZN8/B;  
 Material of lower section:  
 TPE Santoprene 10187;  
 Material of top section:  
 Steel strip DIN 95381-1.4571)

Part No.: 3184632

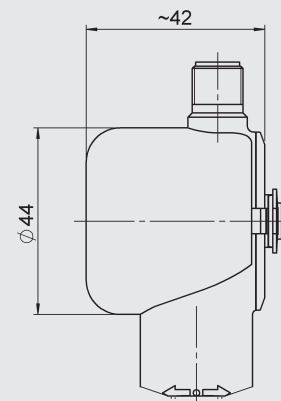


**ZBM 3200**

Splash guard

(Material:  
 Elastollan S60 A15 SPF 000)

Part No.: 3201919

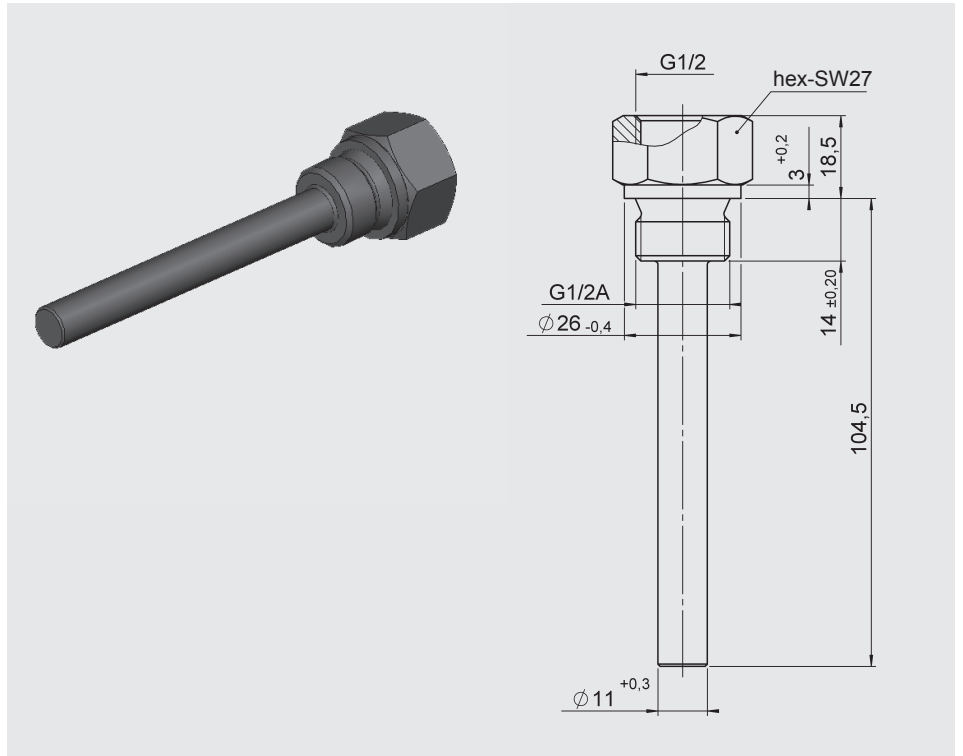


## Protective sleeve for tank-mounting

(Material CuZn39Pb3 - DIN 1763, electro-nickel-plated)

Part No.: 909640

## Tank mounting sleeve , device-specific ETS 3000 (100 mm)



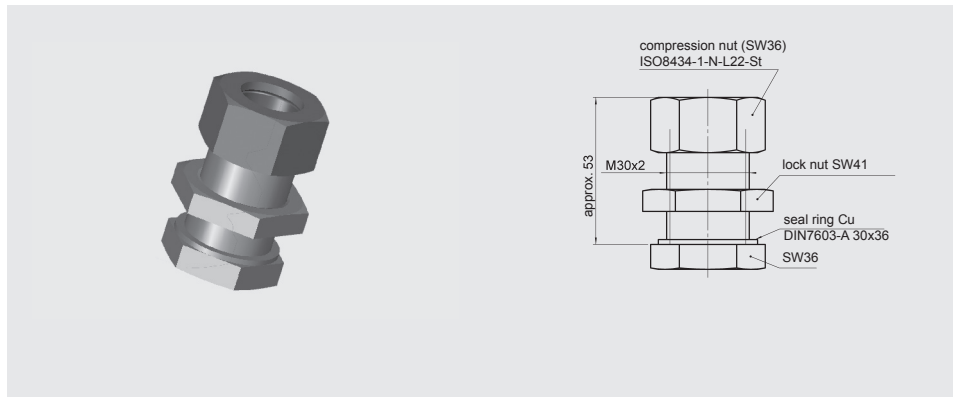
## ZBM 19

Straight bulkhead union ISO 8434

Part No.: 908738

**Note:** Not suitable for ENS with 250 mm probe length

## Connection accessories, device-specific ENS 3000



## ZBM 20

Straight male stud coupling to ISO 8434

Part No.: 908739

