

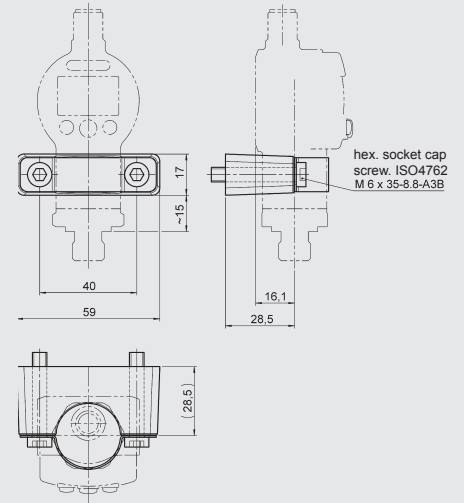
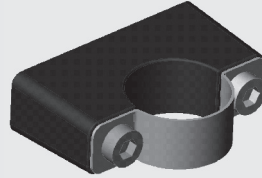
Mounting accessories, device-specific
EDS 3000, ETS 3000, AS 3000, ENS 3000 and HNS 3000

ZBM 3000

Clamp for wall-mounting
 - screw-type fitting -

(Material of lower section:
 TPE Santoprene 10187;
 Material of top section:
 Steel strip DIN 95381-1.4571)

Part No.: 3184630

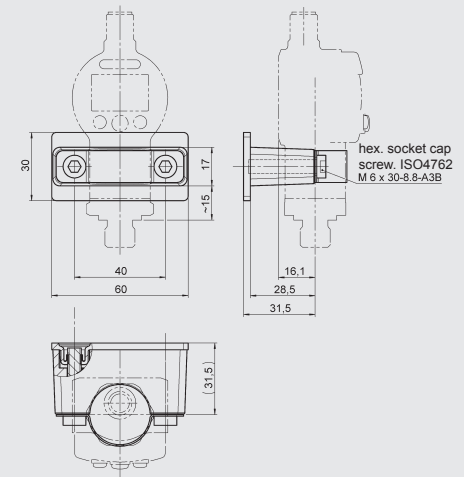
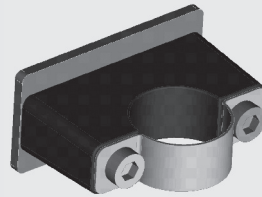


ZBM 3100

Clamp for wall-mounting
 - weld-type fitting -

(Material of welding bridge:
 QSTE340TM, zinc coating
 EN 12329 FE/ZN8/B;
 Material of lower section:
 TPE Santoprene 10187;
 Material of top section:
 Steel strip DIN 95381-1.4571)

Part No.: 3184632

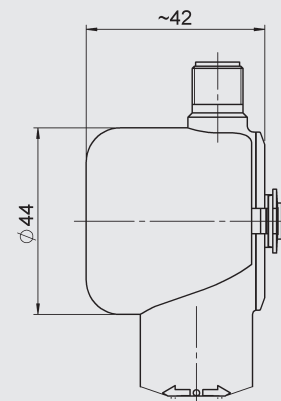
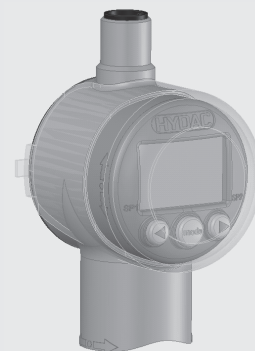


ZBM 3200

Splash guard

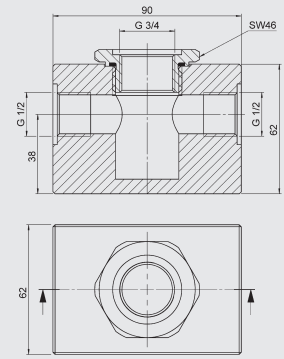
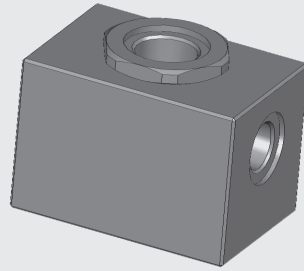
(Material:
 Elastollan S60 A15 SPF 000)

Part No.: 3201919



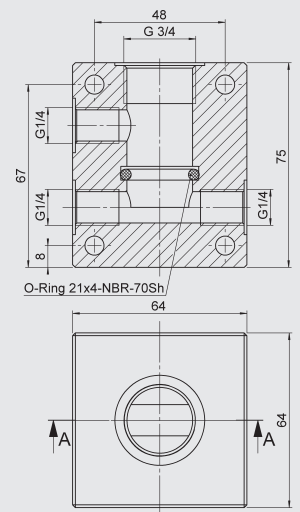
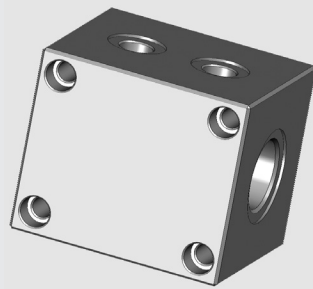
ZBM 21 (Flow)

Mounting block for HLB 1300
for flow rates > 2 l/min
Part No.: 3244260



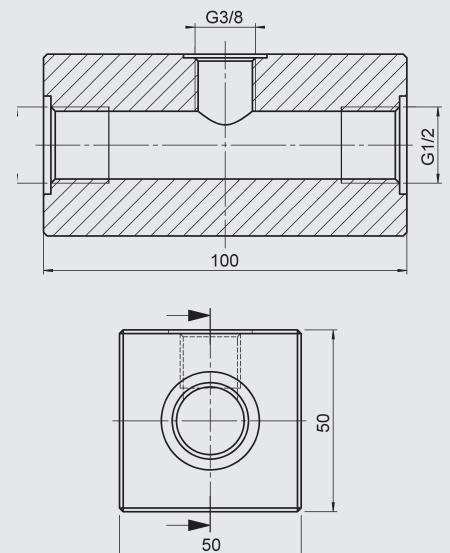
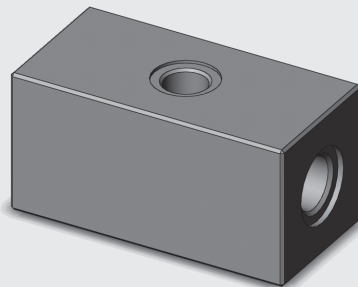
ZBM 23 (Low Flow)

Mounting block for HLB 1300
for flow rates from 0.5 .. 10 l/min
Part No.: 3299331



ZBM 22

Mounting block for AquaSensor
AS 1000 and AS 3000
Part No.: 3248511



Mounting block, device-specific HLB 1300

Connection accessories, device-specific AS 1000, AS 3000